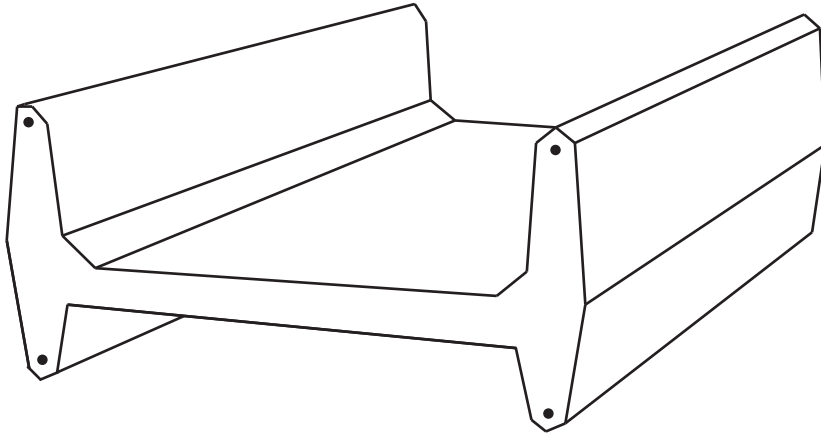


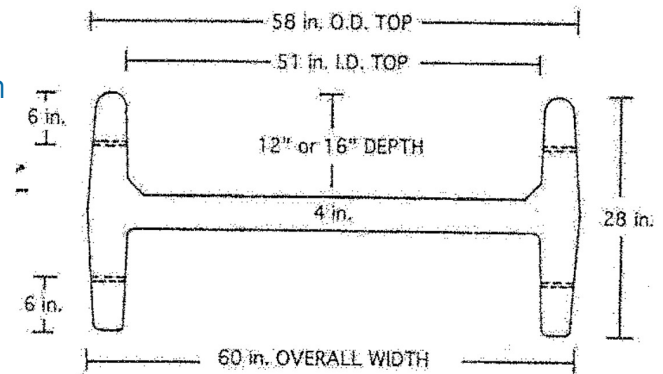
PRECAST CONCRETE FEED BUNKERS



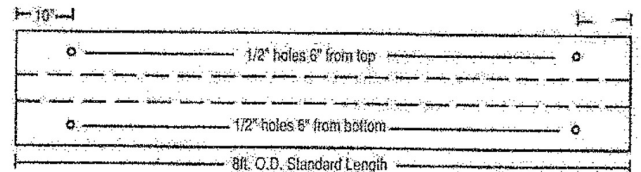
LARGE "H" STYLE BUNK

High capacity feeding for dairy, beef
or heifer feed lots

- "Precast" construction for portability & reduced installation time
- Reinforced with 60,000psi - 5/8" diameter rebar for added strength
- Rounded top to avoid damage to cattle brisket
- Tapered insides edges to reduce feed build up
- 1/2" insert holes for attaching posts to accept head locks, neck rails, roof or automatic feeder systems
- Concrete end caps are available to minimize wasted feed & rodent problems



Approx. Wt. = 460 lbs per foot
8 ft. Standard Length



WEIGHT = 3660 lbs per 8 ft.



PRECASTSYSTEMS, LLC

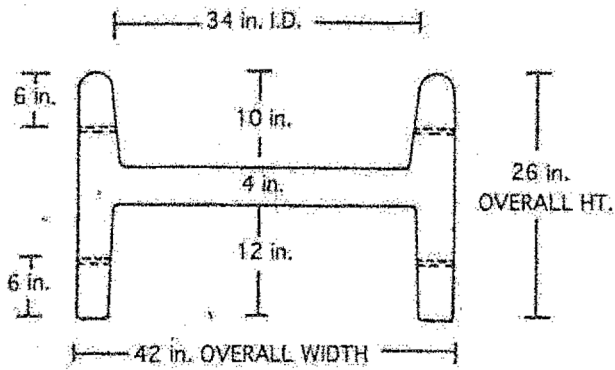
5877 Bullitt Rd. Greencastle, PA 17225

Phone: 717.369.3773

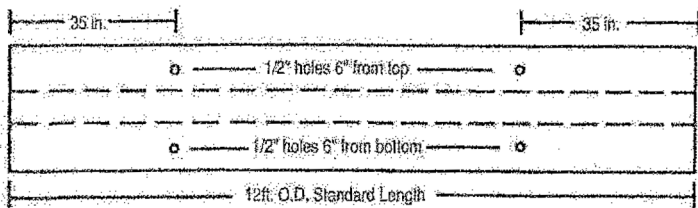
sales@precastsys.com

www.precastsystemsllc.com

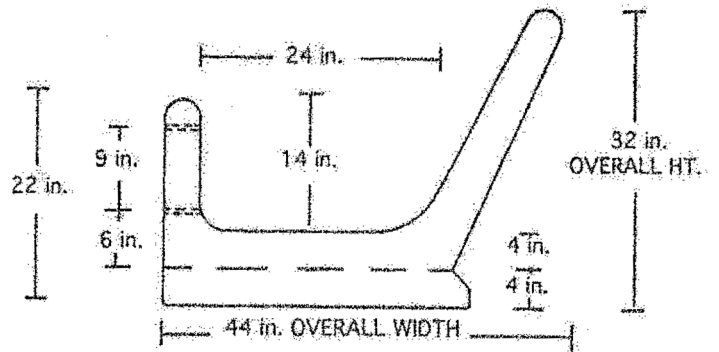
NARROW "H" STYLE BUNK



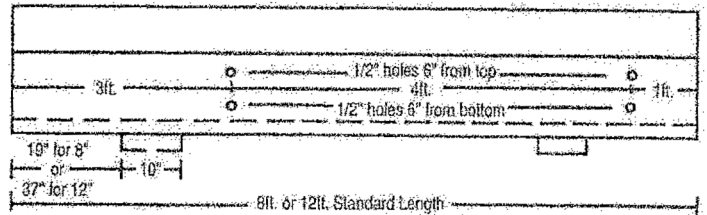
Approx. Wt. = 330 lbs. per foot
12 foot - Standard lengths



SLANT BACK "J" STYLE BUNK



Approx. Wt. = 300 lbs. per foot
8 foot & 12 ft - Standard lengths



PRECASTSYSTEMS, LLC

5877 Bullitt Rd. Greencastle, PA 17225

Phone: 717.369.3773

sales@precastsys.com

www.precastsystemsllc.com